

PH 2/1 Table

The fixture provides soft lighting. PH 2/1 is designed on the principle of a reflecting multi-shade system, creating harmonious and glare-free lighting. The shade design is based on a logarithmic spiral, with the centre of the light source placed in the spiral's focal point.



Private
residence, Sipoo



Vinbar Ved Stranden

Product info

Mounting

Cable type: Vinyl cord with plug. Cable length: 1,75m. Light control: In-line switch on cord.

Finish

Brass metallised, black metallised or high lustre chrome plated. White opal glass.

Materials

Shades: Mouth-blown white opal glass. Top plate: Brass metallised, black metallised or high lustre chrome plated, machined brass. Base and stem: Brass metallised, black metallised or high lustre chrome plated, brass.

Sizes and weights

Width x Height x Length (mm) | 200 x 355 x 200 Max 1.5 kg

Class

Ingress protection IP20. Electric shock protection II w/o ground.

Light source

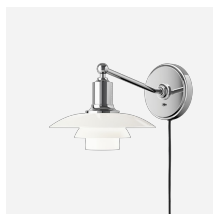
1x33W QT-ax 14 G9



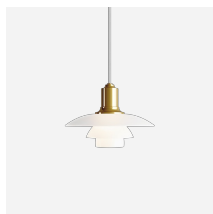
Product family



PH 2/1 Stem Fitting



PH 2/1 Wall



PH 2/1 Pendant

Product variants

Colour	Cable type	Light source
● Black metallised	BLK PL	1x33W QT-ax 14 G9
● Brass metallised	WHT PL	
● High lustre chrome plated		

Design

Poul Henningsen

Weight

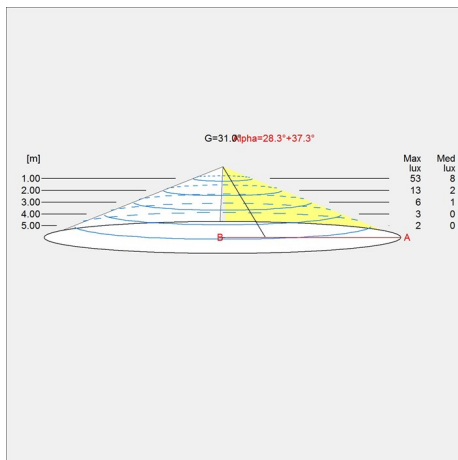
Min: 1.476 kg Max: 1.477 kg

Finish

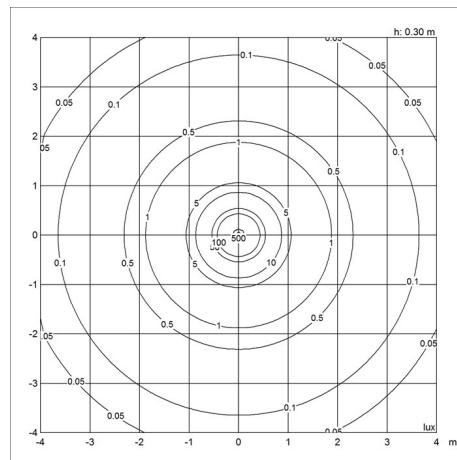
Black metallised, Brass metallised, High lustre chrome plated

Light distribution diagrams

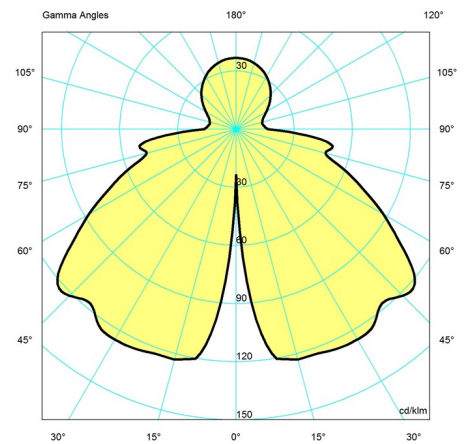
Cartesian



Isolux



Polar



Spare parts & accessories

PH 2/1 Table

Product	Variant number
PH 2-1, middle shade glass	5741084940
PH 2-1, lower shade glass	5741084953
PH 2-1, top shade glass Table/Wall	5741084937
PH 2-1, Table shadeholder chrome	5744164320
PH 2-1, Table shadeholder black PVD	5744164333
PH 2-1, Table shadeholder brass PVD	5744164362
PH 2-1, lower shade amber glass	5744169396
PH 2-1, middle shade amber glass	5744169406
PH 2-1, top shade amber glass Table	5744169419